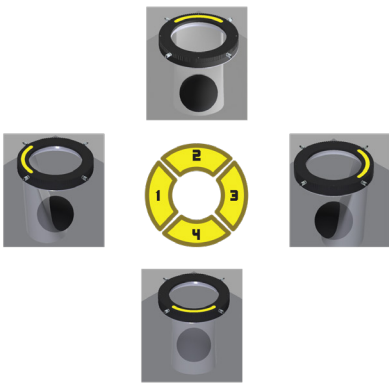


Product Introduction



The high power ring light from CCS, or HPR2-DV04M12-5 Series, has a very diffused output and comes with four independently controllable quadrants. This makes the HPR2-DV04M12-5 Series ideal for your typical Photometric Stereo applications. This Series comes in 7 different sizes and in 4 different wavelengths per size. Whether you would use it for Photometric Stereo applications or High Dynamic Range applications, this 4 quadrant ring light gives you the flexibility you need for your Computational Imaging application.



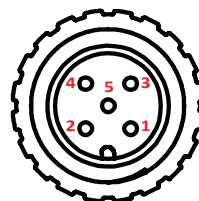
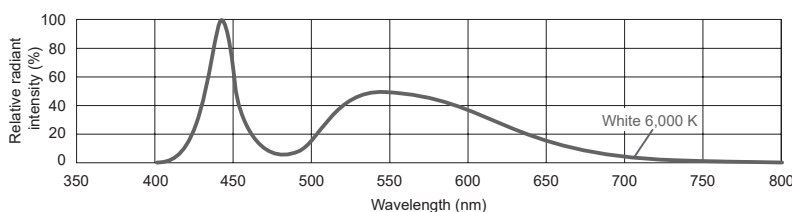
Main Features

- Size: 50, 100, 150, 200, and 250mm
- Color: White at 6,000K
- Four quadrants, each drivable individually.
- Directly controller via one cable with the LSS-2404
- Ideal for Computational Imaging Techniques like Photometric Stereo and High Dynamic Range

Product Line Up

Part Number	Input Voltage	Power Consumption	Correlated Color Temperature	Weight	Extension Cable	Controller
HPR2-50SW-DV04M12-5	24VDC	8.6W	6,000K	46gr	FCB-X-0.5SQM12-5M5F Series	LSS-2404
HPR2-100SW-DV04M12-5		23W		160gr		
HPR2-150SW-DV04M12-5		27W		170gr		
HPR2-200SW-DV04M12-5		41W		250gr		
HPR2-250SW-DV04M12-5		46W		510gr		

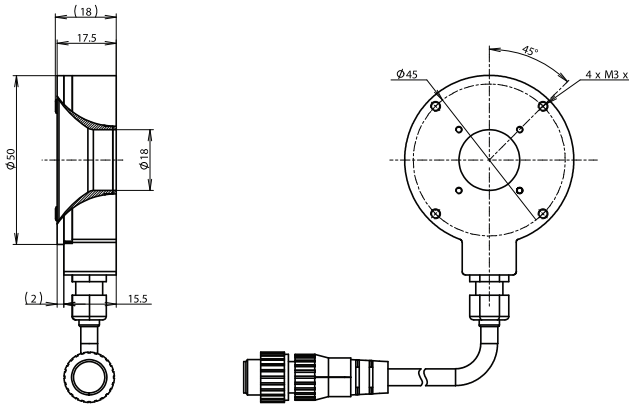
LED Properties and pin assignment



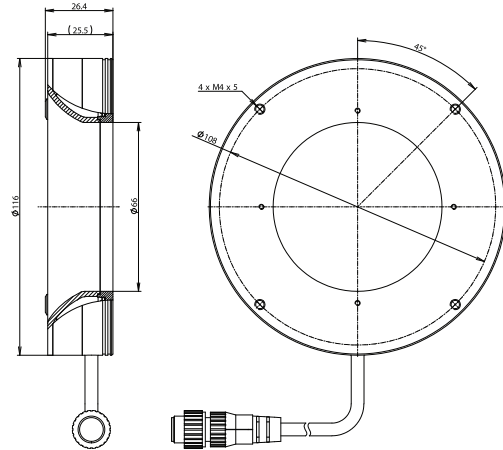
M12 5 pins connector

1. Common (+)
2. Quadrant 1 (-)
3. Quadrant 2 (-)
4. Quadrant 3 (-)
5. Quadrant 4 (-)

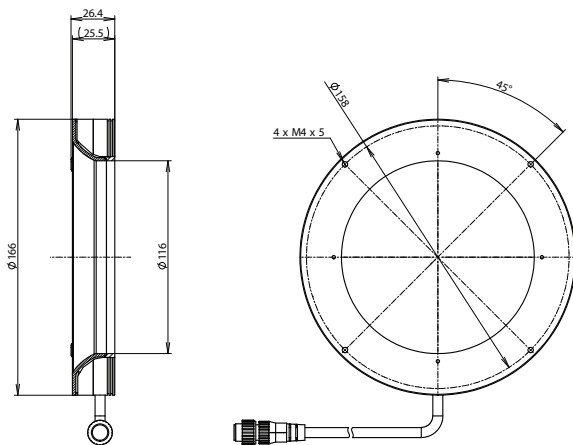
Common drawing



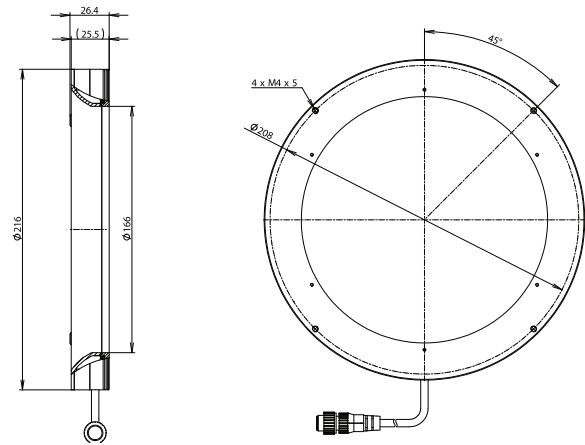
HPR2-50SW-DV04M12-5



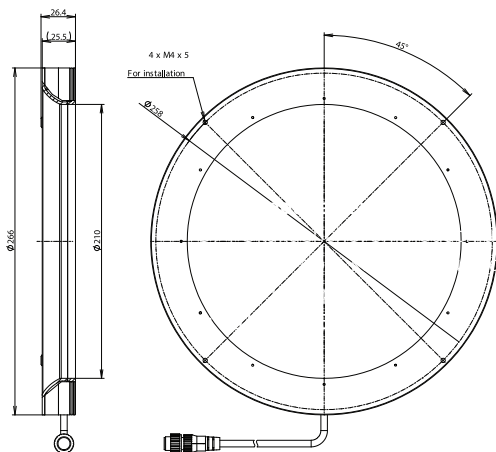
HPR2-100SW-DV04M12-5



HPR2-150SW-DV04M12-5



HPR2-200SW-DV04M12-5



HPR2-250SW-DV04M12-5